



**Submittal Data Sheet**

**SVH24SB-1**

Project Name:	Approval:
Location:	Date:
Engineer:	Construction:
Submitted to:	Unit #:
Submitted by:	Drawing #:
Reference:	

Indoor unit model	B-SVH24SB-1
Outdoor unit model	A-SVH24SB-1



**PERFORMANCE DATA**

Power supply	Ph-V-Hz	208-230V~60Hz , 1Ph
--------------	---------	---------------------

<b>Cooling</b>		
Capacity	Btu/h	24000
Input	W	2695
Rated current	A	12.3
EER	Btu/w	8.9
SEER	Btu/w	16.5

<b>Heating at 47</b>		
Capacity	Btu/h	24000
Input	W	2475
Rated current	A	11.3
COP	W/W	2.84
HSPF4		9.5
HSPF5		8

<b>Electrical</b>		
MINIMUM CIRCUIT AMPACITY	A	19
MAX. FUSE	A	30
Connection wiring		16*4 AWG

<b>Compressor</b>		
Model		SVH24SB-1
Type		ROTARY
Brand		GMCC
Capacity	Btu/h	24686
Input	W	1945
Rated current(RLA)	A	14.25
Locked rotor Amp(LRA)	A	----
Thermal protector		----
Thermal protector position		----
Refrigerant oil/oil charge	ml	ESTER OIL VG74 670ml

<b>SYSTEM DATA</b>		
Design pressure	PSIG	550/340 PSIG
Refrigerant type	oz	R410A/62.79oz
Refrigerant precharge	ft	25
Additional charge per ft.	oz	0.322
Liquid side/ Gas side	mm(in)	Φ9.52/Φ15.9(3/8"/5/8")
Max. refrigerant pipe length	ft	98
Max. difference in level	ft.	66

**INDOOR UNIT DATA**

<b>Indoor fan motor</b>		
Model		B-SVH24SB-1
Brand		Welling
Input		89.0
RLA	A	0.45
LRA	A	0.6
Winding Resistance	Ω	112/82
Capacitor	uF	3
Speed(Hi/Mi/Lo)	r/min	1200/1000/800

<b>Air flow &amp; Noise level</b>		
Indoor air flow (Hi/Lo)	CFM	564.71/447.06/341.18
Indoor noise level (Hi/Lo)	dB(A)	46/40/33.5

<b>Indoor unit</b>		
Dimension(W*D*H)	inch	40.94x8.66x12.87
Packing (W*D*H)	inch	44.09x15.94x12.40
Net/Gross weight	lbs.	28.88/36.60

**OUTDOOR UNIT DATA**

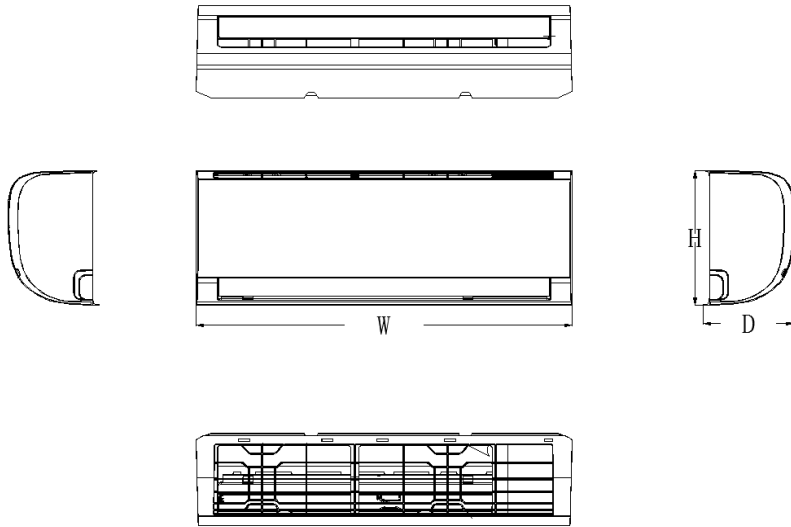
<b>Outdoor fan motor</b>		
Model		A-SVH24SB-1
Brand		Welling
Input		88
RLA	A	0.76
LRA	A	-
Winding Resistance	Ω	-
Capacitor	uF	-
Speed	r/min	830/700/550

<b>Air flow &amp; Noise level</b>		
Outdoor air flow	CFM	1764.71
Outdoor noise level	dB(A)	59.5

<b>Outdoor unit</b>		
Dimension(W*D*H)	inch	35.04x13.46x26.50
Packing (W*D*H)	inch	39.17x15.67x29.13
Net/Gross weight	lbs.	97.88/104.50

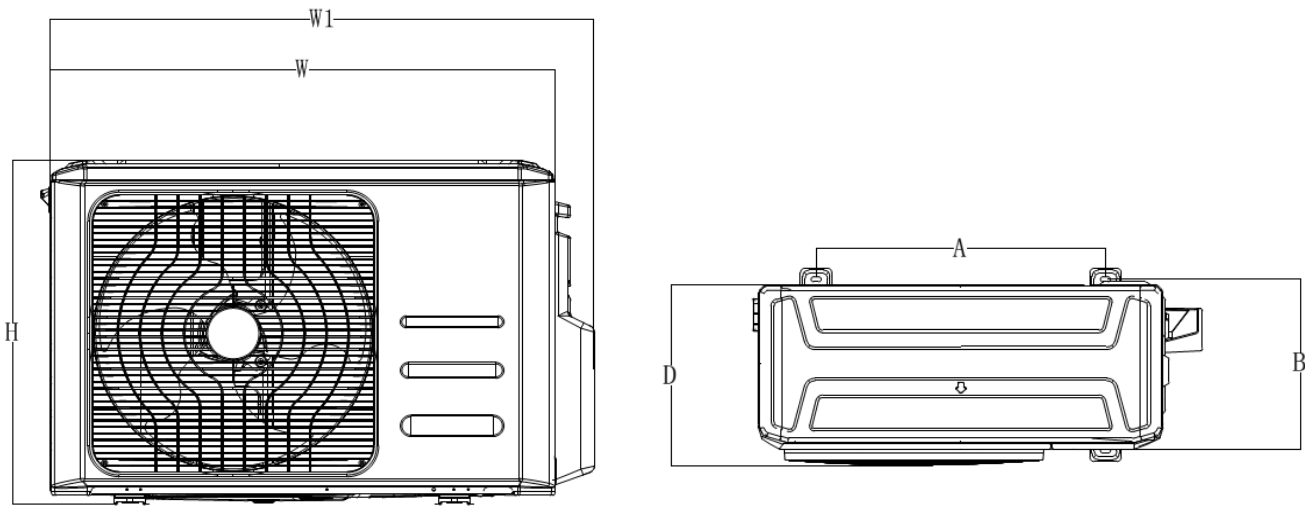
<b>Operation temperature</b>		
Indoor(cooling/ heating)	Deg. F	17~32/0~30
Outdoor(cooling/heating)	Deg. F	5~122/5~86
Application area	sq.ft	330-484

**INDOOR UNIT**



Model	W (inch)	D (inch)	inch)			
B-SVH24SB-1	40.94	8.66	2.87			

**OUTDOOR UNIT**



Model	W (inch)	D (inch)	inch)				W1 (inch)	A (inch)	B (inch)
A-SVH24SB-1	33.27	14.29	7.64				37.60	26.10	13.94